



Model D1005

Specifications

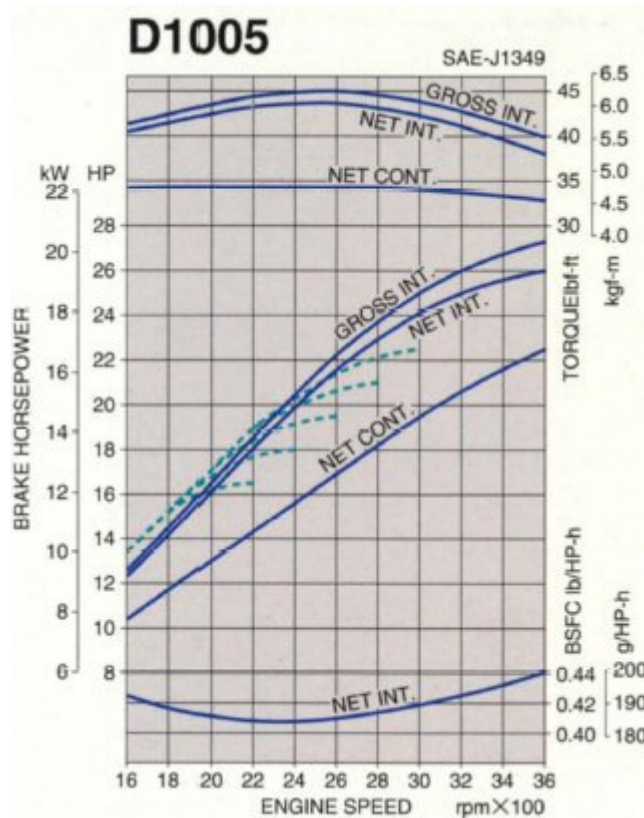
No. of Cylinders		3
Bore x Stroke	mm (in)	76.0 x 73.6 (2.99 x 2.90)
Displacement	L (cu.in.)	1.001 (61.08)
Combustion System		E-TVCS
Intake System		Natural aspirated
Cooling System		Radiator cooling
Starter Capacity	V-A	12-1.0
Alternator Capacity	V-A	12-30
Dry Weight	With Rear-End Plate	kg (lbs)
	With SAE Flywheel & Housing	
		93.0 (205.0)
		110.0 (242.5)
No Load High Idling Speed	rpm	3800
No Load Low Idling Speed	rpm	800
Direction of Rotation		Counterclockwise (viewed from flywheel side)
Governing		Centrifugal flyweight mechanical type governor
Fuel		Diesel fuel No. 2-D (ASTM D975)

Output

Gross Intermitent	kW (HP)/rpm	17.5 (23.5)/3000
		20.4 (27.3)/3600
Net Intermitent	kW (HP)/rpm	16.8 (22.5)/3000
		19.4 (26.0)/3600
Net Continuous	kW (HP)/rpm	14.5 (19.5)/3000
		16.8 (22.5)/3600

*Specifications are subject to change without notice. *Dry weight is according to Kubota's standard specification. When specification varies, the weight will vary accordingly.

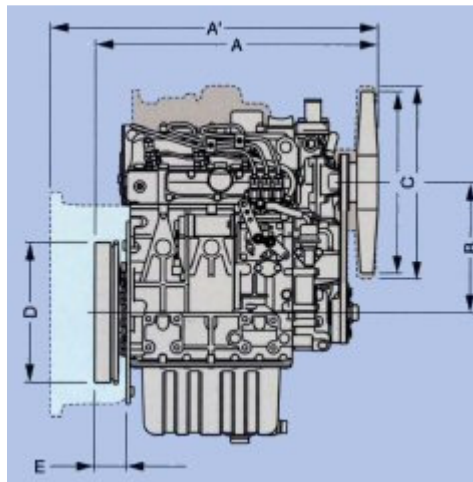
Performace Curve



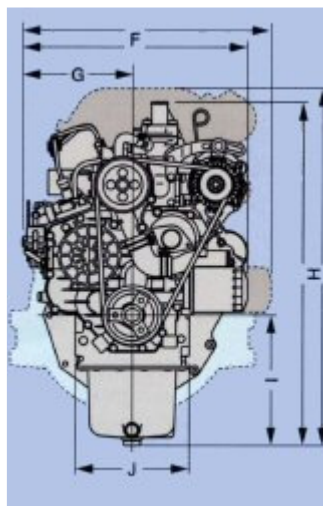
Dimensions mm (inch)

A	497.8 (19.60)
A'	566.8 (22.31)
B	230.0 (9.06)
C	∅330.0 (∅12.99)
D	∅247.0 (∅9.72)
E	56.0 (2.20)

A': with SAE Flywheel & Housing

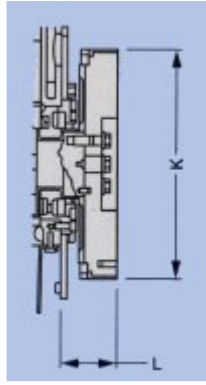


F	396.0 (15.59)
G	194.0 (7.64)
H	604.7 (23.81)
I	229.5 (9.04)
J	200.0 (7.87)

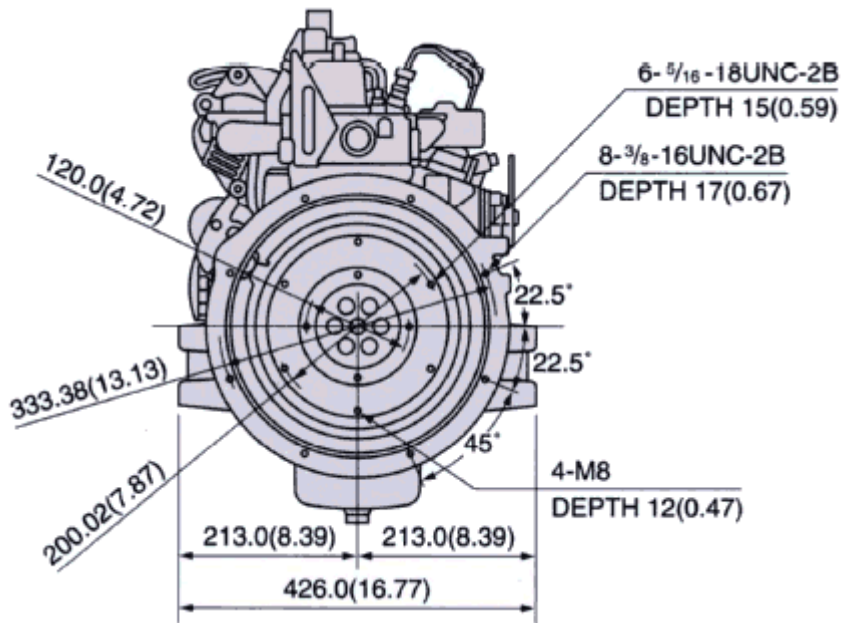


K	∅251.17^{-0.05}_{-0.36} (∅9.89^{-0.00197}_{-0.01417})
----------	--

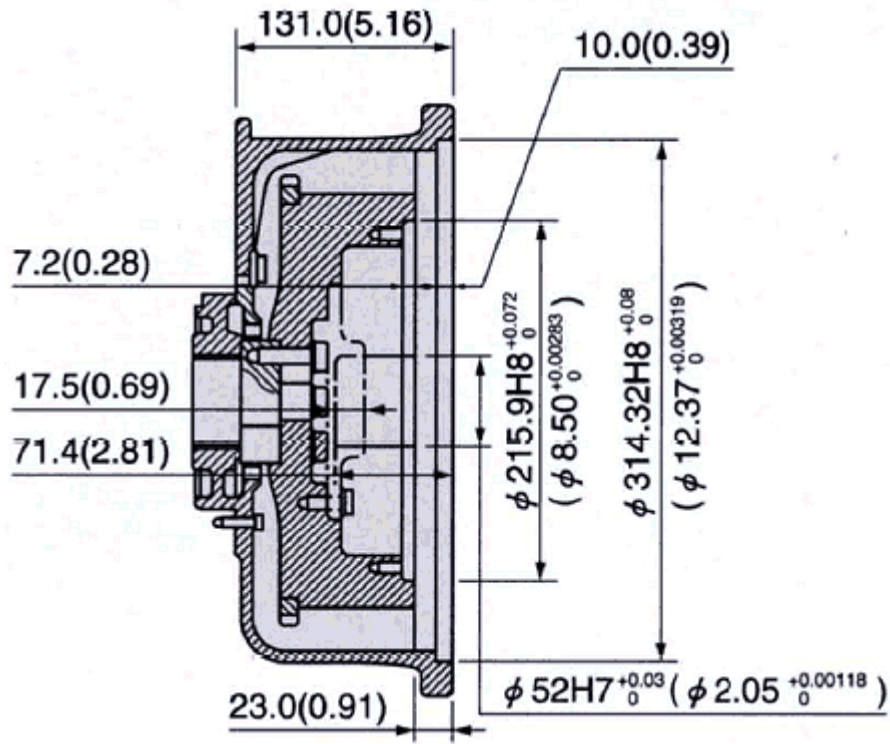
L 62.0 (2.44)



SAE Flywheel and Housing: mm (inch)
SAE No.5 Housing



Clutch No.6 1/2 Flywheel



--	--	--	--	--	--	--	--	--